

## Battery charger (BC-520)

The battery charger is connected to the Pover-Link by a two-wire power cable. The Pover-Link allows you to charge either the services battery by itself or together with the engine battery.

The Schuko plug connecting the power unit to the 220V mains supply must be connected at the outlet to the differential switch, which protects it, and with the characteristic grounding.

**If the power unit is connected to the mains, it is a completely independent power source and is therefore capable of supplying power even when the batteries are missing or damaged, or when the battery fuses have blown. This feature provides a further guarantee of sturdiness for the user.**

The BC-520 is part of a new line of programmable intelligent battery chargers, equipped with protection systems such as monitoring the battery for overvoltage, undervoltage and polarity inversion. This device allows you to select the right charging curve for the type of battery being used. Thus, different brands and types of accumulators can be charged, including standard lead-acid, gel and AGM batteries, as well as lithium-iron and lithium batteries.

### Technical Specifications

Input: 110-230 automatically selected

Rated current 20A@12V

Maximum current: 135% rated current

Float voltage 13.8V

5 Volt mains indicator signal

### Protections

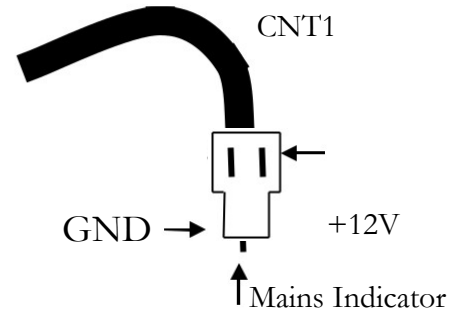
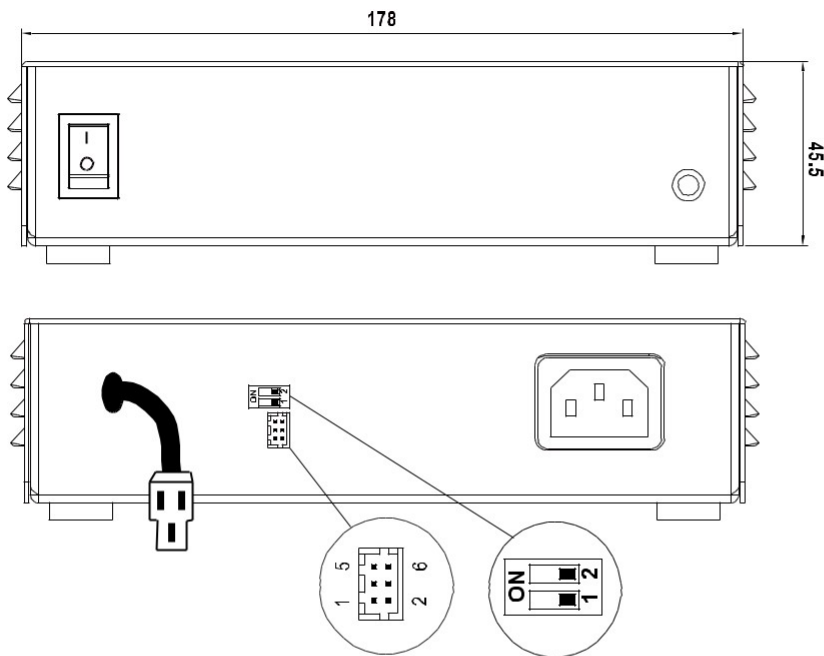
Short circuit, overcharge, overvoltage, overheating

### Connections

1. ~110/230 AC: VDE standard connector for connection to the electrical mains.
2. CNT1: 3-way male faston connector.
3. SWP1: Switch.
4. ST LED: LED that indicates the charging status.

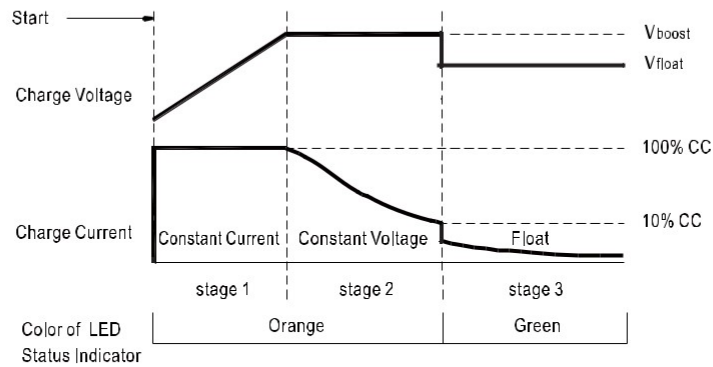
### Dimensions

(LxWxH) 19.2x17.8x4.5 cm 1.4 Kg



### Charge cycle configuration

The charge cycle can be selected using microswitches located on the rear panel:



SW 1	SW 2	Description	Charge current (CC)	Vboost	Vfloat
OFF	OFF	Default: programmable via PC.	16 A	14.4	13.8
ON	OFF	Default: Gel Batteries.		14	13.6
OFF	ON	Default: Lead Batteries.		14.2	13.4
ON	ON	Default: AGM Batteries.		14.5	13.5

A custom charge cycle can be defined based on the battery manufacturer's specifications using the computer software and special dongle (not supplied as standard). The voltage thresholds and charge cycle times can also be customized.

LED	Description
Green	Float (stage 3 maintenance).
Orange	Charging (stage 1 at constant current or stage 2 at constant voltage).